



Colour included
in the price



ZigZag 1310 x 500
colour: RAL 5003

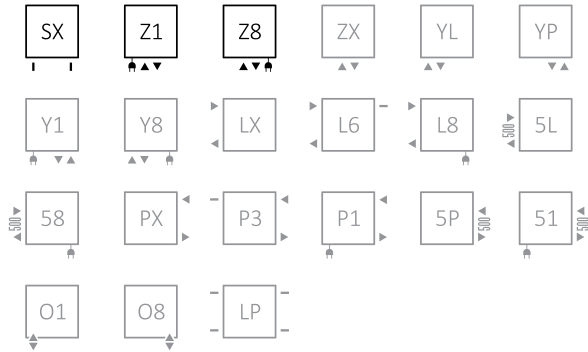
Integrated thermostatic valve, angled, left, satin
SLIM thermostatic head, satin
Integrated pipe-masking set, satin



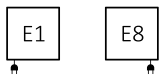
Colour included in the price

design: Jacek Ryń

Connections:



Electric radiators:



We recommend:

A set of integrated thermostatic valves for Z1 and Z8 connections



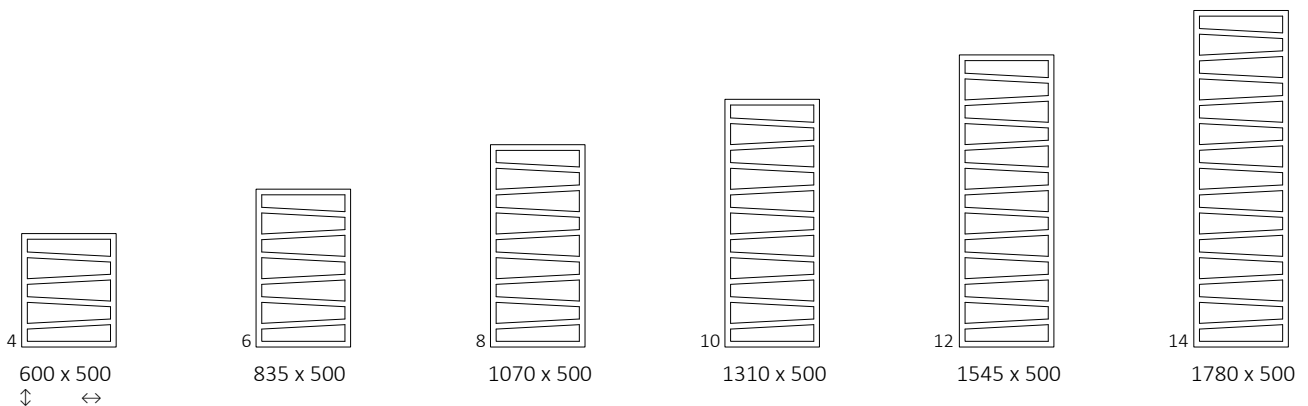
ONE heating element



Integrated pipe-masking set



Available sizes:



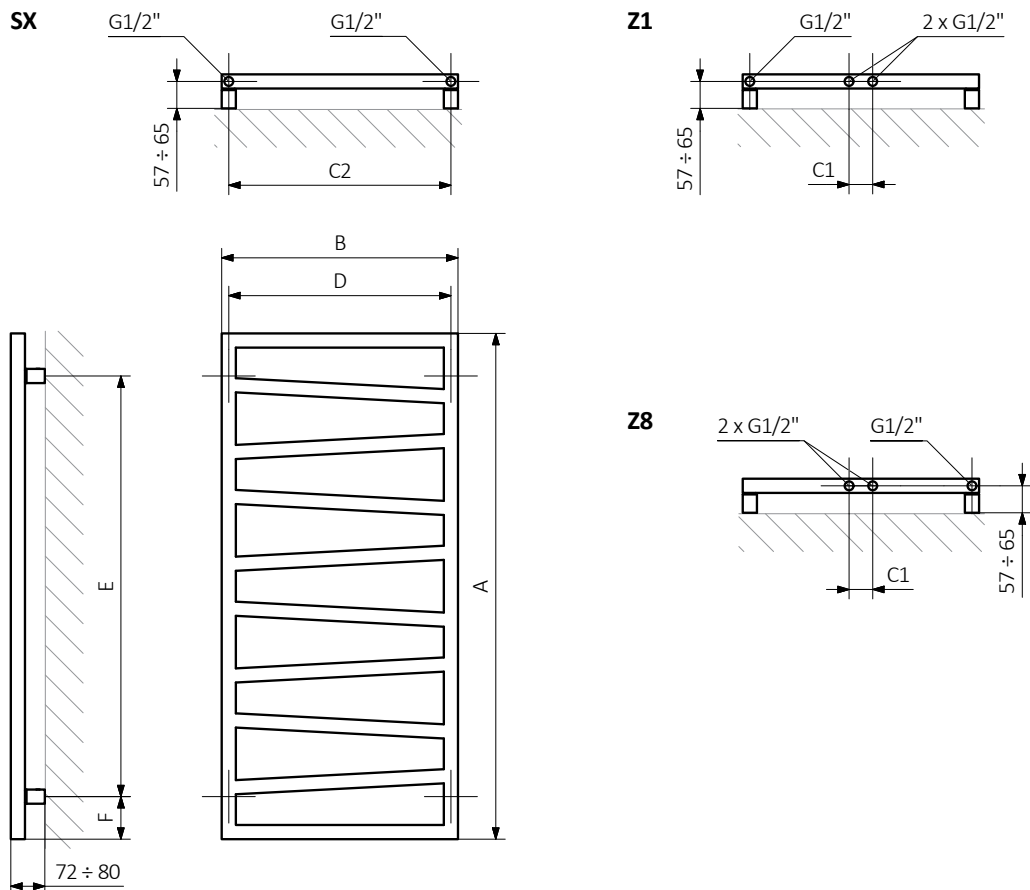
Specifications:

Working pressure: 1,0 MPa Maximum operating temperature: 95°C

A ↓	B ↔	C1 [mm]	C2 [mm]	75/65/20°C [W]	55/45/20°C [W]	☺ [W]	D [mm]	E [mm]	F [mm]	📄 [dm ³]	📖 [kg]	Product Code Configuration codes: 4
600	500	50	470	248	134	300	470	420	90	2,77	4,90	WGZIG060050
835	500	50	470	320	172	300	470	655	90	3,74	6,63	WGZIG083050
1070	500	50	470	406	218	400	470	890	90	4,72	8,35	WGZIG107050
1310	500	50	470	490	263	600	470	1130	90	5,70	10,09	WGZIG131050
1545	500	50	470	581	311	600	470	1365	90	6,67	11,81	WGZIG154050
1780	500	50	470	627	335	600	470	1600	90	7,65	13,54	WGZIG178050

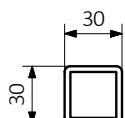


Colour included in the price



A — Height B — Width C1-C5 — Distance between pipe centres D — Horizontal distance between mounting bracket centres
E — Vertical distance between mounting brackets F — Distance between a mounting bracket and the bottom of the radiator

Profile:





Product codes can be found in product data sheet tables. The codes provide some basic information about the product while a partially filled configuration code contains complementary information about the detailed specifications. When placing an order, product codes should include the fully completed configuration part. The configuration code part should be placed after the main product code. The main product code and configuration part will appear as shown in the example below:

The construction of a water and dual fuel radiator product and configuration code:

WGALE054030

K916SX

PRODUCT CODE
(located in the table for the product)

CONFIGURATION CODE
(supplemented by hand)

Configuration

K 916 SX

Package code Colour code Connection code
K – carton box

Construction of electric heater configuration code

WLALE054030

K916E1DRYM

PRODUCT CODE
(located in the table for the product)

CONFIGURATION CODE
(supplemented by hand)

Configuration

K 916 E1 DRY M

Package code Colour code Connection code Heating element code Type of heating element cable code
K – carton box

Zinc powder primer

C – Code of zinc powder primer is an extra processes

WLALE054030 K916SX **C** – Extra processes or additions code



Colour included
in the price

Legend



Available in chrome finish.



Radiator available in a “water” version.



Radiator suitable for dual fuel connection. Electric heating element can be installed.



Radiator available in electric only version. It comes prefilled with a ‘heating medium’ and equipped with a heating element. All tested and ready to use.



Connection types dedicated for this radiator.
The icon shows the flow and return connections for the radiator as well as the thermostatic valve and heating element position if applicable.



Optional connections available for this radiator.



Suggested heating element power output for electric and dual fuel versions.



Weight.



Capacity.