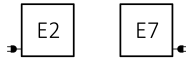
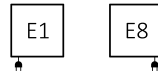


Connections:

A=560-610:



A=900-1900:



We recommend:




ZIP V hanger



ONE heating element



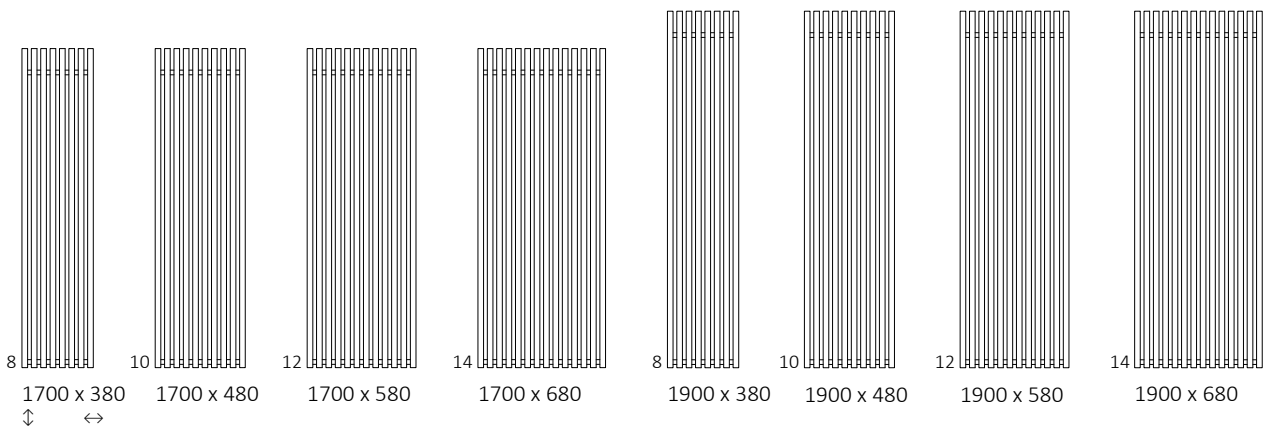
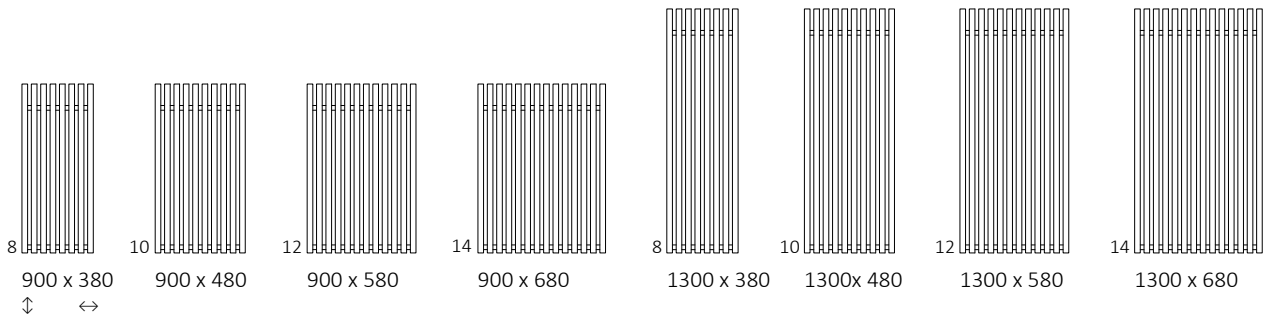
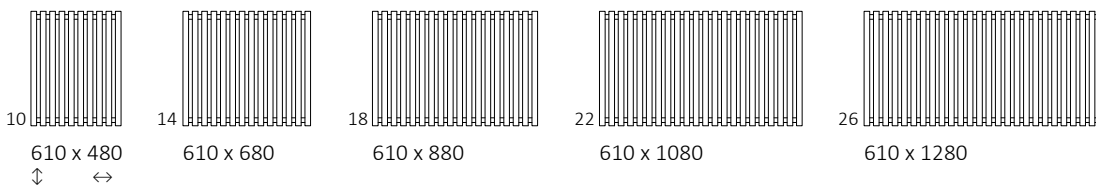
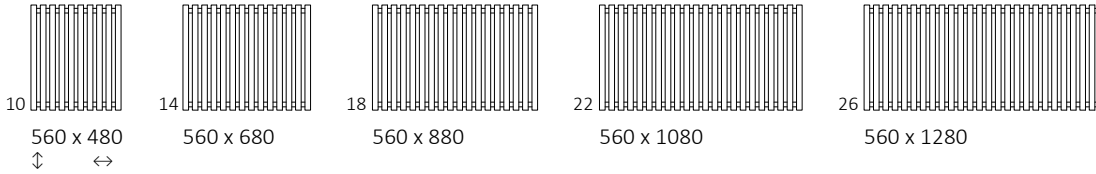
Specifications:

A ↓	B ↔	 [W]	D [mm]	E [mm]	F [mm]	 [dm ³]	 [kg]	Product Code <small>Configuration codes: 5</small>
560	480	400	450	380	90	5,72	14,46	WLTRG056048
560	680	600	650	380	90	8,01	20,30	WLTRG056068
560	880	600	850	380	90	10,31	26,14	WLTRG056088
560	1080	800	1050	380	90	12,60	31,99	WLTRG056108
560	1280	1000	1250	380	90	14,90	37,83	WLTRG056128
610	480	400	450	430	90	6,22	15,63	WLTRG061048
610	680	600	650	430	90	8,71	21,94	WLTRG061068
610	880	800	850	430	90	11,21	28,25	WLTRG061088
610	1080	800	1050	430	90	13,70	34,56	WLTRG061108
610	1280	1000	1250	430	90	16,19	40,87	WLTRG061128
900	380	400	350	720	90	7,29	17,91	WLTRG090038
900	480	600	450	720	90	9,11	22,42	WLTRG090048
900	580	800	550	720	90	10,94	26,93	WLTRG090058
900	680	800	650	720	90	12,76	31,45	WLTRG090068
1300	380	600	350	1120	90	10,48	25,40	WLTRG130038
1300	480	800	450	1120	90	13,10	31,79	WLTRG130048
1300	580	1000	550	1120	90	15,72	38,18	WLTRG130058
1300	680	1200	650	1120	90	18,34	44,56	WLTRG130068
1700	380	800	350	1520	90	13,67	32,89	WLTRG170038
1700	480	1000	450	1520	90	17,09	41,16	WLTRG170048
1700	580	1200	550	1520	90	20,51	49,42	WLTRG170058
1700	680	1500	650	1520	90	23,93	57,68	WLTRG170068
1900	380	1000	350	1720	90	15,26	36,64	WLTRG190038
1900	480	1200	450	1720	90	19,08	45,84	WLTRG190048
1900	580	1500	550	1720	90	22,90	55,04	WLTRG190058
1900	680	1500	650	1720	90	26,72	64,24	WLTRG190068



Colour included
in the price

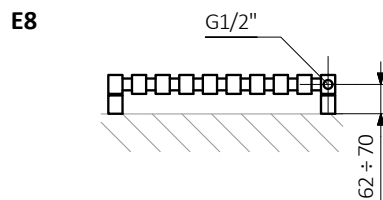
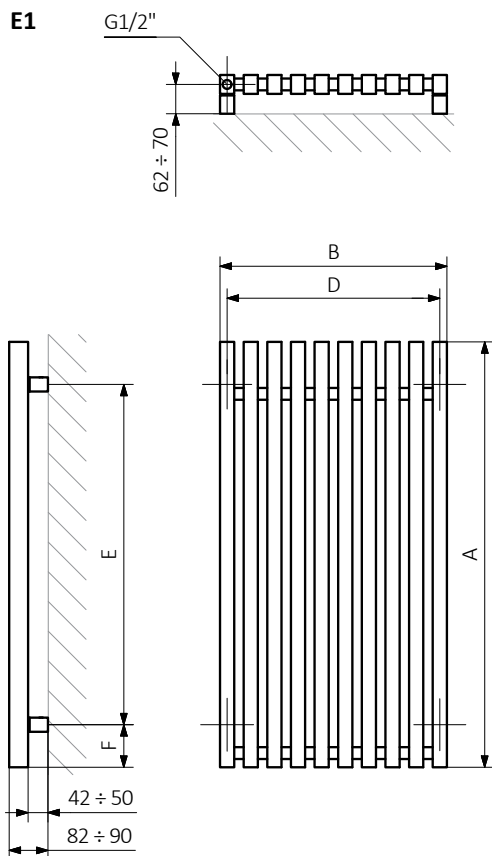
Available sizes:



Triga E

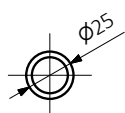


Colour included
in the price

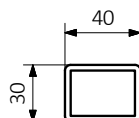


A — Height B — Width C1-C5 — Distance between pipe centres D — Horizontal distance between mounting bracket centres
E — Vertical distance between mounting brackets F — Distance between a mounting bracket and the bottom of the radiator

Collector:



Profile:

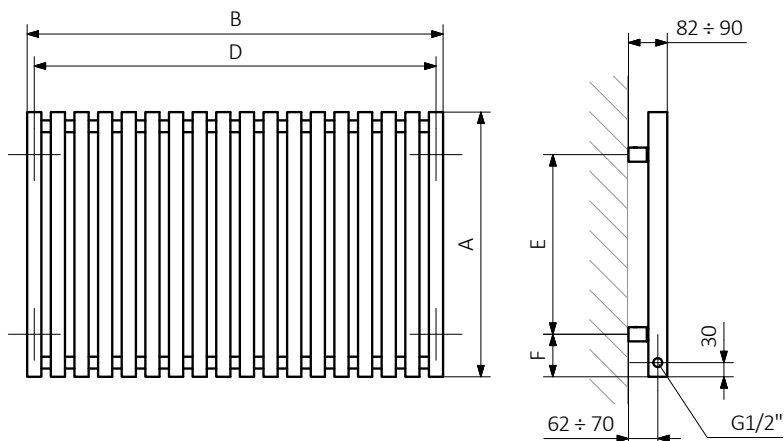


Triga E

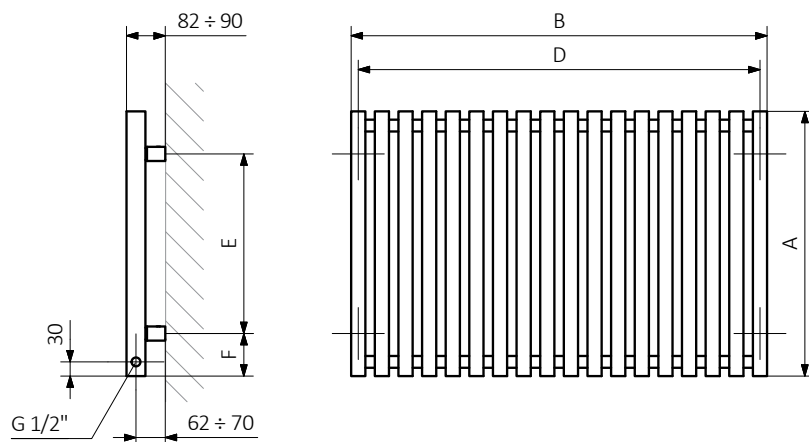


Colour included
in the price

E2

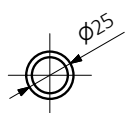


E7

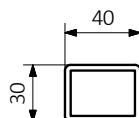


A — Height B — Width C1-C5 — Distance between pipe centres D — Horizontal distance between mounting bracket centres
E — Vertical distance between mounting brackets F — Distance between a mounting bracket and the bottom of the radiator

Collector:



Profile:





Colour included
in the price

Product codes can be found in product data sheet tables. The codes provide some basic information about the product while a partially filled configuration code contains complementary information about the detailed specifications. When placing an order, product codes should include the fully completed configuration part. The configuration code part should be placed after the main product code. The main product code and configuration part will appear as shown in the example below:

Construction of electric heater configuration code

WLALE054030

K916E1DRYM

PRODUCT CODE

(located in the table for the product)

CONFIGURATION CODE

(supplemented by hand)

Configuration

K 916 E1 DRY M

Package code Colour code Connection code Heating element code Type of heating element cable code

K – carton box

Zinc powder primer

C – Code of zinc powder primer is an extra processes

WLALE054030 K916SX **C** — *Extra processes or additions code*



Colour included
in the price

Legend



Available in chrome finish.



Radiator available in a “water” version.



Radiator suitable for dual fuel connection. Electric heating element can be installed.



Radiator available in electric only version. It comes prefilled with a ‘heating medium’ and equipped with a heating element. All tested and ready to use.



Connection types dedicated for this radiator.
The icon shows the flow and return connections for the radiator as well as the thermostatic valve and heating element position if applicable.



Optional connections available for this radiator.



Suggested heating element power output for electric and dual fuel versions.



Weight.



Capacity.